



## R-664M 800W (IEC 60705)

### MICROWAVE OVEN WITH GRILL OPERATION MANUAL

This operation manual contains important information which you should read carefully before using your microwave oven.

**IMPORTANT:** There may be a serious risk to health if this operation manual is not followed or if the oven is modified so that it operates with the door open.

## OPERATION MANUAL

**This operation manual contains important information which you should read carefully before using your microwave oven.**

### IMPORTANT:

**There may be a serious risk to health if this operation manual is not followed or if the oven is modified so that it operates with the door open. If you require any advice or assistance regarding your Sharp product, please visit our website:**

**[www.sharphomeappliances.com/support](http://www.sharphomeappliances.com/support)**

**Customers without Internet access may telephone:**

**0333 014 3055**



Attention: Your product is marked with this symbol. It means that used electrical and electronic products should not be mixed with general household waste. There is a separate collection system for these products.

### A. Information on Disposal for Users (private households)

#### 1. In the European Union

Attention: If you want to dispose of this equipment, please do not use the ordinary dust bin!

Used electrical and electronic equipment must be treated separately and in accordance with legislation that requires proper treatment, recovery and recycling of used electrical and electronic equipment.

Following the implementation by members states private households within the EU states may return their used electrical and electronic equipment to designated collection facilities free of charge\*.

In some countries\* your local retailer may also take back your old product free of charge if you purchase a similar new one.

\*) Please contact your local authority for further details.

If your used electrical or electronic equipment has batteries or accumulators, please dispose of these separately beforehand according to local requirements.

By disposing of this product correctly you will help ensure that the waste undergoes the necessary treatment, recovery and recycling and thus prevent potential negative effects on the environment and human health which could otherwise arise due to inappropriate waste handling.

#### 2. In other Countries outside the EU

If you wish to discard this product, please contact your local authorities and ask for the correct method of disposal.

For Switzerland: Used electrical or electronic equipment can be returned free of charge to the dealer, even if you don't purchase a new product. Further collection facilities are listed on the homepage of [www.swico.ch](http://www.swico.ch) or [www.sens.ch](http://www.sens.ch).

### B. Information on Disposal for Business Users.

#### 1. In the European Union

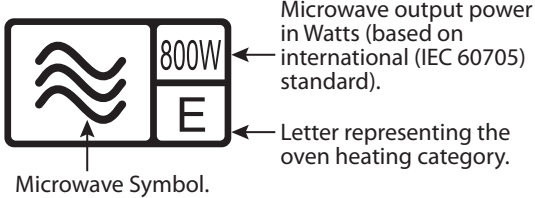
If the product is used for business purposes and you want to discard it:

Please contact your SHARP dealer who will inform you about the take-back of the product. You might be charged for the costs arising from take-back and recycling. Small products (and small amounts) might be taken back by your local collection facilities.

For Spain: Please contact the established collection system or your local authority for take-back of your used products.

#### 2. In other Countries outside the EU

If you wish to discard of this product, please contact your local authorities and ask for the correct method of disposal.



The heating category (a letter A to E) developed by MAFF (Ministry of Agriculture, Fisheries and Food) with microwave oven and food manufacturers indicates the ability of the oven to heat small quantities of food (up to 500g [ 1 lb 2oz]). It does not represent the general performance of the oven.

Food packs carry cooking instructions for heating categories A to E. Follow instructions for the letter corresponding to the oven's heating category. The higher the output power and heating category of the oven the less heating time is required as shown opposite.

OVEN OUTPUT POWER	<p>Less heating time required</p> <p>600 700 800 900 1000 Watts</p> <p>More heating time required</p>
OVEN OUTPUT CATEGORY	<p>Less heating time required</p> <p>A B C D E</p> <p>More heating time required</p>

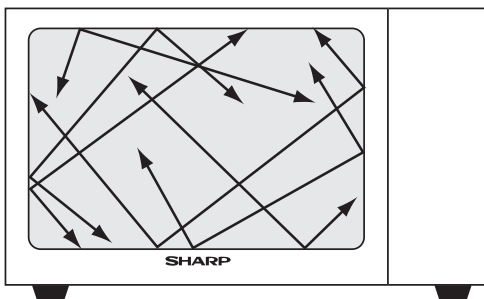
# HOW YOUR OVEN WORKS



Microwaves are energy waves, similar to those used for TV and radio signals.

Electrical energy is converted into microwave energy, which is directed into the oven cavity via a waveguide. To prevent food and grease entering the wave guide it is protected by the waveguide cover.

Microwaves cannot pass through metal, because of this the oven cavity is made of metal and there is a fine metal mesh on the door. During cooking the microwaves bounce off the sides of the oven cavity at random.



Microwaves will pass through certain materials, such as glass and plastic, to heat the food. (See 'Suitable Ovenware' on page GB-16).

Water, sugar and fat in food absorb microwaves which cause them to vibrate. This creates heat by friction, in the same way your hands get warm when you rub them together.

The outer areas of the food are heated by the microwave energy, then the heat moves to the centre by conduction, as it does in conventional cooking. It is important to turn, rearrange or stir food to ensure even heating.

Once cooking is complete, the oven automatically stops producing microwaves.

Standing time is necessary after cooking, as it enables the heat to disperse equally throughout the food.



## CONTENTS

### Operation manual

INFORMATION ON CORRECT DISPOSAL.....	1
HEATING CATEGORY.....	2
HOW YOUR OVEN WORKS.....	2
CONTENTS.....	3
SPECIFICATIONS.....	3
OVEN AND ACCESSORIES.....	4
CONTROL PANEL.....	5
IMPORTANT SAFETY INSTRUCTIONS.....	6-9
INSTALLATION.....	10
BEFORE OPERATION.....	11
SETTING THE CLOCK.....	11
KITCHEN TIMER FUNCTION.....	11
MICROWAVE POWER LEVELS.....	11-12
MANUAL OPERATION.....	12
MICROWAVE COOKING.....	12
GRILL COOKING/MICRO+GRILL COOKING.....	13
OTHER CONVENIENT FUNCTIONS.....	13-14
WEIGHT DEFROST FUNCTION.....	14
TIME DEFROST FUNCTION.....	14
AUTO MENU FUNCTION.....	15
AUTO MENU CHART.....	15-16
SUITABLE OVENWARE.....	16
CARE AND CLEANING.....	17
TROUBLESHOOTING.....	17
TO REPLACE THE MAINS PLUG.....	18
CALLING FOR A SERVICE.....	18
GUARANTEE.....	18



## SPECIFICATIONS

Model name:	R-664M
AC Line Voltage	: 230-240V~,50Hz single phase
Distribution line fuse/circuit breaker	: 10A
AC Power required: Microwave	: 1270W
Output power: Microwave	: 800W (IEC 60705)
Grill	: 1000W
Off Mode (Energy Save Mode)	: less than 1.0W
Microwave Frequency	: 2450MHz*(Group 2/Class B)
Outside Dimensions (W) x (H) x (D)** mm	: 440 x 258 x 359
Cavity Dimensions (W) x (H) x (D)*** mm	: 306 x 208 x 307
Oven Capacity	: 20 litres***
Turntable	: ø 255mm
Weight	: approx. 11.5kg
Oven lamp	: 25W/230-240V

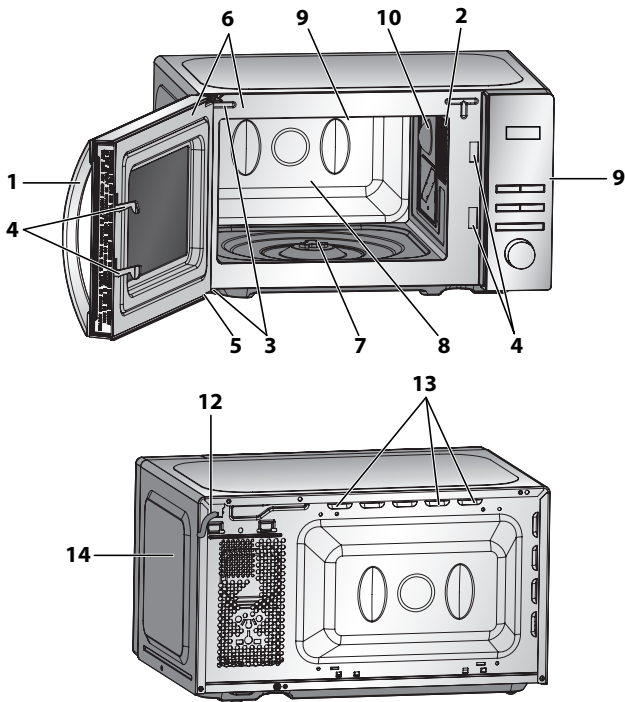
\* This product fulfils the requirement of the European standard EN55011.  
In conformity with this standard, this product is classified as group 2 class B equipment.  
Group 2 means that the equipment intentionally generates radio-frequency energy in the form of electromagnetic radiation for the heat treatment of food.

Class B equipment means that the equipment is suitable to be used in domestic establishments.

\*\* The depth does not include the door opening handle.

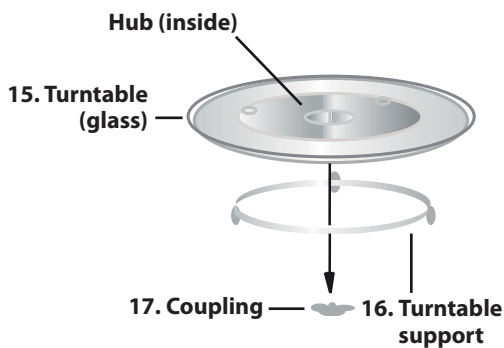
\*\*\* Internal capacity is calculated by measuring maximum width, depth and height. Actual capacity for holding food is less.

AS PART OF A POLICY OF CONTINUOUS IMPROVEMENT, WE RESERVE THE RIGHT TO ALTER DESIGN AND SPECIFICATIONS WITHOUT NOTICE.



## OVEN

1. Door handle
2. Oven lamp
3. Door hinges
4. Door safety latches
5. Door
6. Door seals and sealing surfaces
7. Turntable motor shaft
8. Oven cavity
9. Control panel
10. Grill heating element
11. Waveguide cover (DO NOT REMOVE)
12. Power supply cord
13. Ventilation openings
14. Outer cabinet



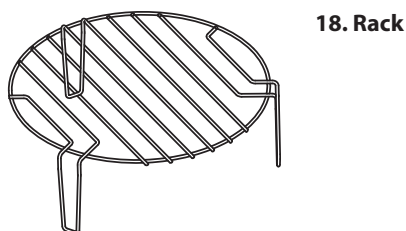
## ACCESSORIES:

Check to make sure the following accessories are provided:

- (15) Turntable (16) Turntable support (17) Coupling (18) Rack
- Place the coupling into the turntable motor shaft. Then place the turntable on to the turntable motor shaft; ensuring it is located firmly.
  - To avoid turntable damage, ensure dishes and containers are lifted clear of the turntable rim when removing them from the oven.
  - For use of the rack, refer to the grilling sections on page GB-13.

**Never touch the grill when it is hot.**

**NOTE:** When you order accessories, please mention two items: part name and model name to your dealer or SHARP authorised service agent.



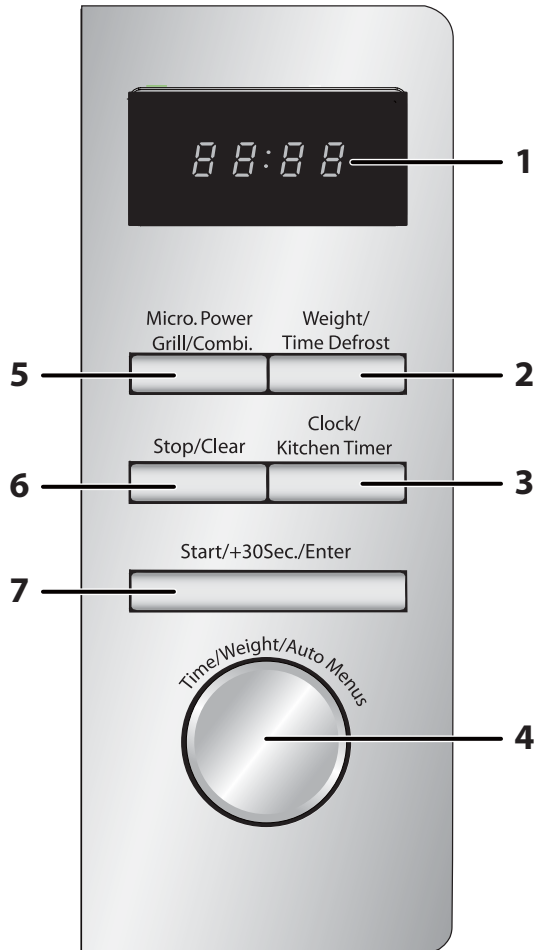
18. Rack

## NOTES:

- The waveguide cover is fragile. Care should be taken when cleaning inside the oven to ensure that it is not damaged.
- Always operate the oven with the turntable and turntable support fitted correctly. This promotes thorough, even cooking. A badly fitted turntable may rattle, may not rotate properly and could cause damage to the oven.
- Place all food and containers of food on the turntable for cooking.
- The turntable rotates clockwise or anti-clockwise. The rotary direction may change each time you start the oven. This does not affect cooking performance.



## CONTROL PANEL



**1. DIGITAL DISPLAY**

**2. WEIGHT/TIME DEFROST** button

**3. CLOCK/KITCHEN TIMER** button

**4. ENTRY** dial

Rotate to enter the cooking time, time, power level, weight and select auto menu



**5. MICRO.POWER/GRILL/COMBI.**

**6. STOP/CLEAR** button

**7. START/ +30sec./ENTER** button

**READ CAREFULLY AND KEEP FOR FUTURE REFERENCE**

1. This oven is designed to be used on a countertop only. It is not designed to be built into a kitchen unit. Do not place the oven in a cabinet.
2. The oven door may become hot during cooking. Place or mount the oven so that the bottom of the oven is 85 cm or more above the floor. Keep children away from the door to prevent them burning themselves.
3. Ensure there is a minimum of free space above the oven of 30 cm.
4. This appliance can be used by children aged from 8 years and above and persons with reduced physical, sensory or mental capabilities or lack of experience and knowledge if they have been given supervision or instruction concerning use of the appliance in a safe way and understand the hazards involved. Children shall not play with the appliance. Cleaning and user maintenance shall not be made by children unless they are older than 8 and supervised
5. Keep the appliance and its cord out of reach of children less than 8 years.
6. **WARNING:** Only allow children to use the oven without supervision when adequate instructions have been given so that the child is able to use the oven in a safe way and understands the hazards of improper use.
7. **WARNING:** When the appliance is operated in the GRILL/COMBI modes, children should only use the oven under adult supervision due to the temperature generated.
8. **WARNING:** Accessible parts may become hot during use. Young children should be kept away.
9. **WARNING:** If the door or door seals are damaged, the oven must not be operated until it has been repaired by a competent person.
10. **WARNING:** Never adjust, repair or modify the oven yourself. It is hazardous for anyone other than a competent person to carry out any service or repair operation which involves the removal of a cover which gives protection against exposure to microwave energy.
11. If the power supply cord of this appliance is damaged, it must be replaced with a special cord. The exchange must be made by an authorised SHARP service agent.
12. **WARNING:** Liquids and other foods must not be heated in sealed containers since they are liable to explode.
13. Microwave heating of beverages can result in delayed eruptive boiling, therefore care must be taken when handling the container.
14. Do not cook eggs in their shells, and whole hard boiled eggs should not be heated in microwave ovens since they may explode even after microwave cooking has ended. To cook or reheat eggs which have not been scrambled or mixed, pierce the yolks and the whites, or the eggs may explode. Shell and slice hard boiled eggs before reheating them in the microwave oven.
15. Utensils should be checked to ensure that they are suitable for use in the oven. See Page GB-16. Use only microwave safe containers and utensils on microwave modes.
16. The contents of feeding bottles and baby food jars must be stirred or shaken and the temperature checked before consumption, in order to avoid burns.
17. The door, outer cabinet, oven cavity, dishes, accessories and especially the grill heating elements will become very hot during operation.
18. Care should be taken to avoid touching these areas. To prevent burns, always use thick oven gloves. Before cleaning make sure they are not hot. When heating food in plastic or paper containers, keep an eye on the oven due to the possibility of ignition.
19. If smoke is emitted, switch off or unplug the appliance and keep the door closed in order to stifle any flames.



## IMPORTANT SAFETY INSTRUCTIONS

20. Clean the oven at regular intervals and remove any food deposits.
21. Failure to maintain the oven in a clean condition could lead to deterioration of the surface that could adversely affect the life of the appliance and possibly result in a hazardous situation.
22. Do not use harsh abrasive cleaners or sharp metal scrapers to clean the glass on the oven door since they can scratch the surface, which may result in shattering of the glass.
23. Steam cleaner is not to be used.
24. See instructions for cleaning door seals, cavities and adjacent parts on page GB-16.
25. This appliance is intended to be used in household and similar applications such as:
  - staff kitchen areas in shops, offices and other working environments;
  - by clients in hotels, motels and other residential type environments;
  - farm houses;
  - bed and breakfast type environments.
26. **WARNING:** The appliance and its accessible parts become hot during use. Care should be taken to avoid touching heating elements. Children less than 8 years of age shall be kept away unless continuously supervised.
27. During use the appliance becomes hot. Care should be taken to avoid touching heating elements inside the oven.
28. Accessible parts may become hot during use. Young children should be kept away.

### To avoid the danger of fire.

1. **The microwave oven should not be left unattended during operation. Power levels that are too high, or cooking times that are too long, may overheat foods resulting in a fire.**
2. The electrical outlet must be readily accessible so that the unit can be unplugged easily in an emergency.
3. The AC power supply must be 230-240V~, 50Hz, with a 10A distribution line fuse, or a 10A distribution circuit breaker.
4. A separate circuit serving only this appliance should be provided.

5. Do not place the oven in areas where heat is generated. For example, close to a conventional oven.
6. Do not install the oven in an area of high humidity or where moisture may collect.
7. Do not store or use the oven outdoors.
8. Clean the waveguide cover, the oven cavity, the turntable and turntable support after use. These must be dry and free from grease. Built-up grease may overheat and begin to smoke or catch fire.
9. Do not place flammable materials near the oven or ventilation openings.
10. Do not block the ventilation openings.
11. Remove all metallic seals, wire twists, etc., from food and food packages. Arcing on metallic surfaces may cause a fire.
12. Do not use the microwave oven to heat oil for deep frying. The temperature cannot be controlled and the oil may catch fire.
13. To make popcorn, use only special microwave popcorn makers.
14. Do not store food or any other items inside the oven.
15. Check the settings after you start the oven to ensure the oven is operating as desired.
16. To avoid overheating and fire, special care must be taken when cooking or reheating foods with a high sugar or fat content, for example, sausage rolls, pies or Christmas pudding.
17. See the corresponding hints in the operation manual.

### To avoid the possibility of injury

#### 1. **WARNING:**

- Do not operate the oven if it is damaged or malfunctioning. Check the following before use:
- a) The door; make sure the door closes properly and ensure it is not misaligned or warped.
  - b) The hinges and safety door latches; check to make sure they are not broken or loose.
  - c) The door seals and sealing surfaces; ensure that they have not been damaged.





- d) Inside the oven cavity or on the door; make sure there are no dents.
- e) The power supply cord and plug; ensure that they are not damaged.
- 2. Do not operate the oven with the door open or alter the door safety latches in any way.
- 3. Do not operate the oven if there is an object between the door seals and sealing surfaces.
- 4. Do not allow grease or dirt to build up on the door seals and adjacent parts. Clean the oven at regular intervals and remove any food deposits. Follow the instructions for "Care and Cleaning" on page GB-16.
- 5. Individuals with PACEMAKERS should check with their doctor or the manufacturer of the pacemaker for precautions regarding microwave ovens.

**To avoid the possibility of electric shock**

- 1. Under no circumstances should you remove the outer cabinet.
- 2. Never spill or insert any objects into the door lock openings or ventilation openings. In the event of a spill, turn off and unplug the oven immediately, and call an authorised SHARP service agent.
- 3. Do not immerse the power supply cord or plug in water or any other liquid.
- 4. Do not let the power supply cord hang over the edge of a table or work surface.
- 5. Keep the power supply cord away from heated surfaces, including the rear of the oven.
- 6. Do not attempt to replace the oven lamp yourself or allow anyone who is not an electrician authorised by SHARP to do so. If the oven lamp fails, please consult your dealer or an authorised SHARP service agent.

**To avoid the possibility of explosion and sudden boiling:**

- 1. Never use sealed containers. Remove seals and lids before use. Sealed containers can explode due to a build up of pressure even after the oven has been turned off.
- 2. Take care when microwaving liquids. Use a wide mouthed container to allow bubbles to escape.

**Never heat liquids in narrow necked containers such as baby bottles, as this may result in the contents erupting from the container when heated and cause burns.**

To prevent sudden eruption of boiling liquid and possible scalding:

- 1. Do not use excessive amount of time.
- 2. Stir liquid prior to heating/reheating.
- 3. It is advisable to insert a glass rod or similar utensil (not metal) into the liquid whilst reheating.
- 4. Let liquid stand for at least 20 seconds in the oven at the end of cooking time to prevent delayed eruptive boiling.
- 3. Pierce the skin of such foods as potatoes, sausages and fruit before cooking, or they may explode.

**To avoid the possibility of burns**

- 1. Use pot holders or oven gloves when removing food from the oven to prevent burns.
- 2. Always open containers, popcorn makers, oven cooking bags, etc., away from the face and hands to avoid steam burns and eruption of boiling.
- 3. **To avoid burns, always test food temperature and stir before serving and pay special attention to the temperature of food and drink given to babies, children or the elderly. Temperature of the container is not a true indication of the temperature of the food or drink; always check the food temperature.**
- 4. Always stand back from the oven door when opening it to avoid burns from escaping steam and heat.
- 5. Slice stuffed baked foods after heating to release steam and avoid burns.

**To avoid misuse by children**

- 1. Do not lean or swing on the oven door.
- 2. Children should be taught all important safety instructions: use of pot holders, careful removal of food coverings; paying special attention to packaging (e.g. self-heating materials) designed to make food crisp, as they may be extra hot.



## IMPORTANT SAFETY INSTRUCTIONS

### Other warnings

1. Never modify the oven in any way.
2. Do not move the oven while it is in operation.
3. This oven is for home food preparation only and may only be used for cooking food. It is not suitable for commercial or laboratory use.

### To promote trouble free use of your oven and avoid damage.

1. Never operate the oven when it is empty except where recommended in the operation manual. Doing so may damage the oven.
2. When using a browning dish or self-heating material, always place a heat-resistant insulator such as a porcelain plate under it to prevent damage to the turntable and turntable support due to heat stress. The preheating time specified in the dish's instructions must not be exceeded.
3. Do not use metal utensils, which reflect microwaves and may cause electrical arcing. Use only the turntable and the turntable support designed for this oven. Do not operate the oven without the turntable.
4. Do not place anything on the outer cabinet during operation.

### NOTE:

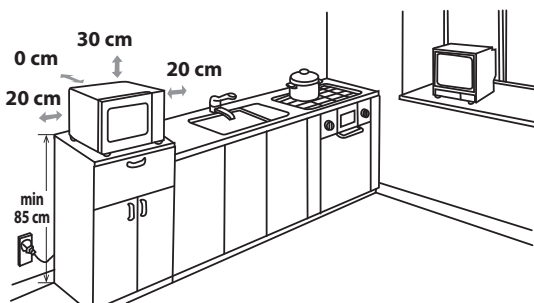
If you are unsure how to connect your oven, please consult an authorised, qualified electrician. Neither the manufacturer nor the dealer can accept any liability for damage to the oven or personal injury resulting from failure to observe the correct electrical connection procedure. Water vapour or drops may occasionally form on the oven walls or around the door seals and sealing surfaces. This is a normal occurrence and is not an indication of microwave leakage or a malfunction.

### BUILT-IN KIT

No built-in kit is available for this oven. This oven is designed to be used on a countertop only.



1. Remove all packing materials from the inside of the oven cavity and remove any protective film found on the microwave oven cabinet surface. Check the oven carefully for any signs of damage.
2. Place the oven on a secure, level surface, strong enough to take the oven weight, plus the heaviest item likely to be cooked in the oven. Do not place the oven in a cabinet.
3. Select a level surface that provides enough open space for the intake and/or outlet vents. The rear surface of appliance shall be placed against a wall.
  - A minimum space of 20cm is required between the oven and any adjacent walls.
  - Leave a minimum space of 30cm above the oven.
  - Do not remove the feet from the bottom of the oven.
  - Blocking the intake and/or outlet openings can damage the oven.
  - Place the oven as far away from radios and TV as possible. Operation of the microwave oven may cause interference to your radio or TV reception.



4. The oven door may become hot during cooking. Place or mount the oven so that the bottom of the oven is 85cm or more above the floor. Keep children away from the door to prevent them burning themselves.

5. Securely connect the plug of the oven to a standard earthed (grounded) household electrical outlet.

**WARNING:** Do not place the oven where heat, moisture or high humidity are generated, (for example, near or above a conventional oven) or near combustible materials (for example, curtains).

Do not block or obstruct air vent openings.

Do not place objects on top of the oven.

### ELECTRICAL CONNECTION

- Do not allow water to come into contact with the power supply cord or plug.
- Insert the plug properly into the socket.
- Do not connect other appliances to the same socket using an adaptor plug.
- If the power supply cord is damaged, it must be replaced by a Sharp approved service facility or a similarly qualified person to avoid a hazard.
- When removing the plug from the socket always grip the plug, never the cord as this may damage the power supply cord and the connections inside the plug.
- If the plug fitted to your oven is a rewirable type and in the event of the socket outlet in your home not being compatible with the plug supplied, remove the plug properly (do not cut off).
- If the plug fitted to your oven is a non-rewirable type and in the event of the socket outlet in your home not being compatible with the plug supplied, cut-off the mains plug.
- Refit with a suitable type, observing the wiring code given in 'To replace the mains plug' on page GB-17.



### **WARNING: THIS APPLIANCE MUST BE EARTHED**

**To wire an appropriate plug, follow the wiring code given in 'To replace the mains plug' on page GB-17.**



## BEFORE OPERATION

Plug in the oven. The oven display will display: "0:00", an audible signal will sound once. This model has a clock function and the oven uses less than 1.0W in stand by mode. To set the clock, see below.



## SETTING THE CLOCK

Your oven has a 24 hour clock feature.

1. Press the **CLOCK/KITCHEN TIMER** button once. The hour figure will flash and the clock indicator will illuminate.
2. Rotate the **ENTRY** dial until the correct hour is displayed, the input time should be within 0-23.
3. Press the **CLOCK/KITCHEN TIMER** button, the minute figure will flash.
4. Set the minutes. Rotate the **ENTRY** dial until the correct minutes are displayed, the input time should be within 0-59.
5. Press the **CLOCK/KITCHEN TIMER** button to start the clock. The icon ":" of the digital time will flash on the display and the clock indicator will disappear.

### NOTES:

- If the clock is set, when cooking is complete, the display will show the correct time of day. If the clock has not been set, the display will show "0:00".
- To check the time of day during a cooking process, press **CLOCK/KITCHEN TIMER** button and the LED will display the time of day for 2-3 seconds. This does not affect the cooking process.
- In the process of clock setting, if the **STOP/CLEAR** button is pressed, the oven will go back to the former setting.
- If the electrical power supply to your microwave oven is interrupted, the display will intermittently show "0:00" after the power is reinstated. If this occurs during cooking, the programme will be erased. The time of day will also be erased.



## KITCHEN TIMER FUNCTION

You can use the kitchen timer function in instances where microwave cooking is not involved for example to time boiled eggs cooked on conventional hob or to monitor the standing time for cooked/defrosted food.

### Example:

To set the timer for 5 minutes.

1. Press **CLOCK/KITCHEN TIMER** twice.
2. Rotate **ENTRY** dial to select time .
3. Press the **START/+30sec/ENTER** key to start the timer.
4. Check the display. (The display will count down through the programmed time.)

When the timer arrives at 0:00, an audible signal will sound 5 times and the LED will then display the time of day.

You can enter any time up to 95 minutes. To cancel the **KITCHEN TIMER** whilst counting down, simply press the **STOP/CLEAR** button.

**NOTE:** The **KITCHEN TIMER** function cannot be used whilst cooking.



## MICROWAVE POWER LEVELS

Your oven has 5 power levels. To select the levels, follow the instruction below.

To set the power level	LED Display	Microwave Power
<ul style="list-style-type: none"> <li>• Press the <b>MICRO.POWER/GRILL/COMBI.</b> button once, P100 will be displayed and at the same time the microwave indicator and high heat indicator will illuminate on the display.</li> </ul>		HIGH = 100 %
<ul style="list-style-type: none"> <li>• Press <b>MICRO.POWER/GRILL/COMBI.</b> or rotate the <b>ENTRY</b> dial to change the power level until the display indicates the desired level.</li> </ul>		MEDIUM HIGH = 80 %
<ul style="list-style-type: none"> <li>• Press the <b>START/+30sec/ENTER</b> button to confirm the setting, enter the cooking time and then press the <b>START/ +30sec./ENTER</b> button again to start the oven.</li> </ul>		MEDIUM = 50 %
<ul style="list-style-type: none"> <li>• To check the power level during cooking, press the <b>MICRO.POWER/GRILL/COMBI.</b> button, the current power level will be displayed for 4 seconds. The oven will continue to count down although the display will show the power level.</li> </ul>		MEDIUM LOW = 30 %
		LOW = 10 %



Generally the following recommendations apply:

- P100** - (HIGH output = 800W) used for fast cooking or reheating e.g. for casseroles, hot beverages, vegetables etc.
- P80** - (MEDIUM HIGH output = 640W ) used for longer cooking of dense foods such as roast joints, meat loaf and plated meals, also for sensitive dishes such as sponge cakes. At this reduced setting, the food will cook evenly without over cooking at the sides.

- P50** - (MEDIUM output = 400W) for dense foods which require a long cooking time when cooked conventionally, e.g. beef casserole, it is advisable to use this power setting to ensure the meat will be tender.
- P30** - (MEDIUM LOW output = 240W) Defrost setting to defrost, select this power setting, to ensure that the dish defrosts evenly. This setting is also ideal for simmering rice, pasta, dumplings and cooking egg custard.
- P10** - (LOW output = 80W) For gentle defrosting, e.g. cream gateaux or pastry.

## MANUAL OPERATION



### Opening the door:

To open the oven door, pull the door handle.

### Starting the oven:

Prepare and place food in a suitable container onto the turntable or place directly onto the turntable. Close the door and press the **START/ +30sec./ENTER** button after selecting the desired cooking mode. Once the cooking programme has been set if the **START/ +30sec./ENTER** button is not pressed in 1 minute, the setting will be cancelled. The **START/ +30sec./ENTER** button must be pressed to continue cooking if the door is opened during cooking. An audible signal will sound once when pressing the button, if inefficiently pressed there will be no sound.

Use the **STOP/CLEAR** button to:

1. Erase a mistake during programming.
2. Stop the oven temporarily during cooking.
3. Cancel a programme during cooking, press the **STOP/CLEAR** button twice.
4. To set and to cancel the child lock (refer to page GB-14).

### Automatic lamp off function:

When the microwave oven is powered on, if opening the door the oven lamp will be turned off automatically after 1 minute.

## MICROWAVE COOKING



Your oven can be programmed for up to 95 minutes (95:00).

The input unit of cooking (defrosting) time varies from 5 seconds to 95 minutes. It depends on the total length of the cooking (defrosting) time as shown on the table.

Cooking Time	Increasing Unit
0-1 minutes	5 seconds
1-5 minutes	10 seconds
5-10 minutes	30 seconds
10-30 minutes	1 minute
30-95 minutes	5 minutes

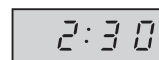
### MANUAL COOKING/MANUAL DEFROSTING

- Enter the cooking time and use the microwave power levels P100 to P10 to cook or defrost (refer to page GB-11).
- Stir or turn the food, where possible, 2 - 3 times during cooking.
- After cooking, cover the food and leave to stand, where recommended.
- After defrosting, cover the food in foil and leave to stand until thoroughly defrosted.

### Example:

To cook for 2 minutes and 30 seconds on P80 (80%) microwave power.

1. Press the **MICRO. POWER/GRILL/ COMBI.** button. P100 will be displayed.
2. Rotate the **ENTRY** dial to select the power level for P80.
3. Press the **START/ +30sec./ENTER** button to confirm the setting.
4. Enter the cooking time by rotating the **ENTRY** dial.
5. Press the **START/ +30sec./ENTER** button to start cooking. (The display will count down through the programmed cooking time.)



### NOTE:

- When the oven starts, the oven lamp will illuminate and the turntable will rotate clockwise or anticlockwise.
- If the door is opened during cooking/defrosting to stir or turn over food, the cooking time on the display will stop automatically. The cooking/defrosting time starts to count down again when the door is closed and the **START/ +30sec./ENTER** button is pressed.
- When cooking/defrosting is complete, the time of day will reappear on the display, if the clock has been set.
- If you wish to know the power level during cooking, press the **MICRO.POWER/GRILL/COMBI.** button. The current power level will be displayed for 3 seconds.



## GRILL COOKING/MICRO+GRILL COOKING

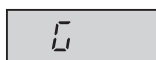
### 1. GRILL ONLY COOKING

The grill at the top of the oven cavity has one power setting only. The grill is assisted by the turntable which rotates simultaneously to ensure even browning. Use the rack for grilling small items of food such as bacon, gammon and teacakes. Food can be placed either directly onto the rack, or into a flan dish/heat-resistant plate on the rack.

#### Example:

To grill for 20 minutes, using **MICRO.POWER/GRILL/COMBI.** key.

1. Press **MICRO.POWER/GRILL/COMBI.** key 6 times or press **MICRO.POWER/GRILL/COMBI.** key once and then rotate **ENTRY** dial until "G" is displayed.
2. Press the **START/+30sec./ENTER** button to confirm the setting.
3. Rotate **ENTRY** dial to set up required heating time.
4. Press the **START/+30sec./ENTER** key to start the grilling. (The display will count down through the programmed grilling time.)



### 2. MICRO+GRILL COOKING

**MICRO+GRILL** combines microwave power with the grill. **MICRO+GRILL** means to cook by microwave power and grill power alternately. The combination of microwave power with the grill reduces cooking time and provides a crisp, brown finish.

There are 2 choices for the combination:

#### COMBINATION 1 (Display: C-1)

55% time for microwave power, 45% time for grill cooking. Use for fish and au gratin.

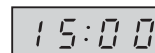
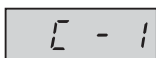
#### COMBINATION 2 (Display: C-2)

36% time for microwave cooking, 64% time for grill cooking. Use for puddings, omelettes and poultry.

#### Example:

To cook for 15 minutes, using **MICRO+GRILL** with 55% time microwave power and 45% grill power (C-1).

1. Press **MICRO.POWER/GRILL/COMBI.** key 7 times or press **MICRO.POWER/GRILL/COMBI.** key once and then rotate **ENTRY** dial until "C-1" is displayed.
2. Press the **START/+30sec./ENTER** button to confirm the setting.
3. Rotate **ENTRY** dial to set up required heating time.
4. Press the **START/+30sec./ENTER** key to start the cooking. (The display will count down through the programmed cooking time.)



#### NOTES for GRILL and MICRO+GRILL COOKING:

- It is not necessary to preheat the grill.
- When browning foods in a deep container, place on the turntable.
- You may detect smoke or a burning smell when using the grill for the first time. This is normal and not a sign that the oven has malfunctioned. To avoid this problem, when first using the oven, heat the oven without food for 20 minutes on grill.

**IMPORTANT:** During operation, to allow smoke or smells to disperse open a window or switch the kitchen ventilation on.



#### WARNING:

The door, outer cabinet, oven cavity and accessories will become very hot during operation. To prevent burns, always use thick oven gloves.



## OTHER CONVENIENT FUNCTIONS

### 1. SEQUENCE COOKING

This function allows you to cook using up to 3 different stages which can include manual cooking times or time defrost as well as weight defrost function. Once programmed there is no need to interfere with the cooking operation as the oven will automatically move onto the next stage. The audible signal will sound once after the first stage. If one chosen stage is defrosting, this should be the first stage of sequence cooking.

**NOTE:** **AUTO MENU** cannot be set as one of the multiple sequences.

**Example:** If you want to cook food for 20 minutes on P100 microwave power and then for 5 minutes with P80 microwave power. The steps are as follows:

- 1. Press the **MICRO.POWER/GRILL/COMBI.** button, P100 will appear in the LED display.
- 2. Press the **START/+30sec./ENTER** button once to confirm the setting.
- 3. Enter the cooking time by rotating the **ENTRY** dial until the display shows "20:00" minutes.
- 4. Press the **MICRO.POWER/GRILL/COMBI.** button, P100 will appear in the LED display.
- 5. Press the **MICRO.POWER/GRILL/COMBI.** button once again or rotate the **ENTRY** dial to select the microwave power to P80.
- 6. Press the **START/+30sec./ENTER** button once more to confirm the setting.
- 7. Enter the cooking time by rotating the **ENTRY** dial until the display shows "5:00" minutes.
- 8. Press the **START/+30sec./ENTER** button to start cooking.

### 2. +30sec FUNCTION (Auto minute)

#### Direct start

You can directly start cooking on P100 microwave power level for 30 seconds by pressing the **START/+30sec./ENTER** button. The cooking process will start immediately and each time the button is pressed this will increase the cooking time by 30 sec.

**NOTE:** The cooking time may be extended to a maximum of 95 minutes.

## OTHER CONVENIENT FUNCTIONS



### 3. CHILD LOCK:

Use to prevent unsupervised operation of the oven by children.

a. To set the CHILD LOCK:

Press and hold the **STOP/CLEAR** button for 3 seconds until the display shows:



b. To cancel the CHILD LOCK:

Press and hold the **STOP/CLEAR** button for 3 seconds until a long beep sounds.

### 4. ECO Mode:

In standby mode, press the "STOP" button once, the LED display will be off and microwave oven enter to ECO mode. Any operation can light the LED display again, and the microwave oven will return to standby mode.

## WEIGHT DEFROST FUNCTION



### WEIGHT DEFROST

The microwave oven is pre-programmed with a timer and power levels so that foods such as pork, beef and chicken can be easily defrosted. The weight range for this is from 100g – 2000g in 100g steps.

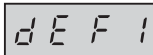
Follow the example below for guidance on how to operate this function.

**Example:** To defrost a meat joint weighing 1.2Kg using **WEIGHT DEFROST**.

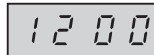
Place the meat in a flan dish or alternatively a microwave oven defrost rack on the turntable.

1. Press the **WEIGHT/TIME DEFROST** button.

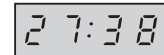
x1



2. Enter the desired weight by rotating the **ENTRY** dial until the display shows:



3. Press the **START/ +30sec./ENTER** button to start defrosting. (The display will count down through defrosting time)



### NOTE:

- Frozen foods are defrosted from -18°C.
- Before freezing foods, ensure food is fresh and of good quality.
- If necessary, shield small areas of meat or poultry with flat pieces of aluminium foil. This will prevent the areas from becoming warm during defrosting. Ensure the foil does not touch the oven walls.
- Food weight should be rounded up to the nearest 100g, for example, 650g to 700g.
- After defrosting the audible signal will sound five times and the LED will then display time of day, if the clock has been set. If the clock has not been set, the display will only show "0:00" when defrosting is complete.

## TIME DEFROST FUNCTION



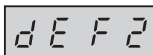
### TIME DEFROST

This function quickly defrosts food while enabling you to choose a suitable defrost period, depending on the food type. Follow the example below for details on how to operate this function. The time range is 0:05 – 95:00.

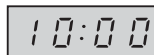
**Example:** To defrost food for 10 minutes.

1. Press the **WEIGHT/TIME DEFROST** button.

x2



2. Enter the cooking time by rotating the **ENTRY** dial until the display shows: 10:00



3. Press the **START/ +30sec./ENTER** button to start defrosting. (The display will count down through defrosting time)



### Notes for Time Defrost:

- The preset microwave power level can not be changed.
- Before freezing foods, ensure food is fresh and of good quality.
- If necessary, shield small areas of meat or poultry with flat pieces of aluminium foil. This will prevent the areas from becoming warm during defrosting. Ensure the foil does not touch the oven walls.
- After defrosting the audible signal will sound five times and the LED will then display the time of day, if the clock has been set. If the clock has not been set, the display will only show "0:00" when defrosting is complete.



## AUTO MENU FUNCTION

The **AUTO MENU** programmes automatically calculates the correct cooking mode and cooking time of foods (details below). Follow the example below for guidance on how to operate this function.

**Example:** To cook fish with a weight of 250g by using the **AUTO MENU** function.

1. Rotate the **ENTRY** dial to select the desired auto menu.
2. Press the **START/ +30sec./ ENTER** button to confirm the setting.
3. Enter the desired weight by rotating the **ENTRY** dial.
4. Press the **START/ +30sec./ ENTER** button to start cooking. (The display will count down through the programmed cooking time.)



A - 3

2. Press the **START/ +30sec./ ENTER** button to confirm the setting.

A - 3

3. Enter the desired weight by rotating the **ENTRY** dial.



2 5 0

4. Press the **START/ +30sec./ ENTER** button to start cooking. (The display will count down through the programmed cooking time.)

5:00

### NOTES:

- The weight or quantity of food can be input by rotating the **ENTRY** dial until the desired weight/quantity ('g' or ml) illuminates on the display. Enter the weight of the food only. Do not include the weight of the container.
- For food weighing more or less than the weights/quantities given in the **AUTO MENU** chart below cook by manual operation.



## AUTO MENU CHART

Auto Menu	Display	Cooking method	Weight/portion/ utensils	Procedure
Reheat dinner plate (pre-cooked food e.g. meat, vegetable and garnishes)	A-1	100% Micro	200g, 400g, 600g (initial temp. 5°C) Plate and vented microwave cling film or suitable lid	Put the pre-cooked food on a plate. Use vented microwave cling film or a suitable lid to cover the plate. Place the plate in the centre of the turntable. Stir after cooking.
Fresh vegetables e.g. cauliflower, carrots, broccoli, fennel, leek, pepper, courgettes etc.	A-2	100% Micro	200g, 300g, 400g (initial temp 20°C) Bowl and lid	Cut, chop or slice fresh vegetables into evenly sized pieces. Place the fresh vegetables in a suitable container. Place on the turntable. Add the required amount of water (1 tbsp per 100g). Cover with a lid. Stir after cooking and let the food stand for approx. 2 minutes.
Fish (fish fillet)	A-3	80% Micro	250g, 350g, 450g (initial temp. 20°C) Flan dish and vented microwave cling film or suitable lid	Place in a single layer in a flan dish. Use vented microwave cling film or a suitable lid to cover.
Meat (boneless meat e.g. beef, lamb, pork or poultry)	A-4	100% Micro	250g, 350g, 450g (initial temp 20°C) Flan dish and vented microwave cling film or suitable lid	Cut the meat into small strips and place it in a flan dish. Use vented microwave cling film or a suitable lid to cover the flan dish. Place the flan dish in the centre of the turntable.
Pasta (dried pasta e.g. Fusilli, Farfalle, Rigatoni)	A-5	80% Micro	Pasta Water 50g 450 ml 100g 800 ml (initial temp. for the water: 20°C) large wide bowl	Place pasta in an appropriate sized bowl and add the water. Do not cover. Place the bowl in the centre of the turntable. After cooking, stir well and stand for 2 minutes before draining.
Boiled potatoes & Jacket potatoes	A-6	100% Micro	200g, 400g 600g (initial temp. 20°C) bowl and lid	Boiled potatoes: Peel the potatoes and cut them into similar sized pieces. Place the potatoes into a bowl. Add 1tbsp water per 100g, add a little salt and cover the bowl with a lid. After cooking, allow to stand for approx. 2 minutes before serving. Jacket potatoes: choose potatoes of similar size and wash them, then place the potatoes onto the glass turntable. After cooking, allow to stand for approx. 5 minutes before serving.



## AUTO MENU CHART



Auto Menu	Display	Cooking method	Weight/portion/ utensils	Procedure
Chilled pizza	A-7	100% Micro	200g, 400g (initial temp. 5°C) plate	Place the pizza on a plate in the centre of the turntable. Do not cover.
Soup	A-8	80% Micro	200 ml, 400 ml (initial temp. 5°C) Cups (200 ml per cup)	Place the cups on the turntable and stir after cooking.
Beverage	A-9	100% Micro	1 (cup) 120ml 2 (cups) 240ml 3 (cups) 360ml (initial temp. 50C)	Place the cup(s) on the turntable and stir after heating.
Popcorn	A-10	100% Micro	0.05kg, 0.1kg	Place the popcorn bag directly on the turntable (Please see the note below: 'Important Information About Microwave Pop- corn Feature')

### NOTES:

- The final temperature will vary according to the initial food temperature. Check food is piping hot after cooking. If necessary, you can extend the cooking manually.
- The results when using auto cook depend on variances such as the shape and size of the food and your personal preference as regards cooking results. If you are not satisfied with the programmed result, please adjust the cooking time to match your requirement.

## SUITABLE OVENWARE



To cook/defrost food in a microwave oven, the microwave energy must be able to pass through the container to penetrate the food. Therefore it is important to choose suitable cookware.

Round/oval dishes are preferable to square/oblong ones, as the food in the corners tends to overcook. A variety of cookware can be used as listed below.

Cookware	Microwave Safe	Comments
Aluminium foil Foil containers	✓ / ✗	Small pieces of aluminium foil can be used to shield food from overheating. Keep foil at least 2cm from the oven walls, as arcing may occur. Foil containers are not recommended unless specified by the manufacturer, e.g. Microfoil <sup>®</sup> , follow instructions carefully.
Browning dishes	✓	Always follow the manufacturers instructions. Do not exceed the heating time given. Be very careful as these dishes become very hot.
China and ceramics	✓ / ✗	Porcelain, pottery, glazed earthenware and bone china are usually suitable, except for those with metallic decoration.
Glassware e.g. Pyrex <sup>®</sup>	✓	Care should be taken if using fine glassware as it can break or crack if heated suddenly.
Metal	✗	It is not recommended to use metal cookware as it will arc, which can lead to fire.
Plastic/Polystyrene e.g fast food containers	✓	Care must be taken as some containers warp, melt or discolour at high temperatures.
Cling film	✓	It should not touch the food and must be pierced to let the steam escape.
Freezer/Roasting bags	✓	Must be pierced to let steam escape. Ensure bags are suitable for microwave use. Do not use plastic or metal ties, as they may melt or catch fire due to the metal 'arcing'.
Paper - plates, cups and kitchen paper	✓	Only use for warming or to absorb moisture. Care must be taken as overheating may cause fire.
Straw and wooden containers	✓	Always monitor the oven when using these materials as overheating may cause fire.
Recycled paper and newspaper	✗	May contain extracts of metal which will cause 'arcing' and may lead to fire.



**WARNING:**  
When heating food in plastic or paper containers, monitor the oven due to the possibility of ignition.



## CARE AND CLEANING

**CAUTION: DO NOT USE COMMERCIAL OVEN CLEANERS, STEAM CLEANERS, ABRASIVE, HARSH CLEANERS, ANY THAT CONTAIN SODIUM HYDROXIDE OR SCOURING PADS ON ANY PART OF YOUR MICROWAVE OVEN.**

**CLEAN THE OVEN AT REGULAR INTERVALS AND REMOVE ANY FOOD DEPOSITS - Keep the oven clean, or the oven could lead to a deterioration of the surface. This could adversely affect the life of the appliance and possibly result in a hazardous situation.**

### Oven exterior

The outside of your oven can be cleaned easily with mild soap and water. Make sure the soap is wiped off with a moist cloth, and dry the exterior with a soft towel.

### Control panel

Open the door before cleaning to de-activate the control panel. Care should be taken in cleaning the control panel. Use a cloth damp with water only, gently wipe the panel until it becomes clean. Avoid using excessive amounts of water. Do not use any sort of chemical or abrasive cleaner.

### Oven Interior

1. For cleaning, wipe any splatters or spills with a soft damp cloth or sponge after each use while the oven is still warm. For heavier spills, use a mild soap and wipe several times with a damp cloth until all residues are removed. Do not remove the waveguide cover.

2. Make sure that mild soap or water does not penetrate the small vents in the walls which may cause damage to the oven.

3. Do not use spray cleaners on the oven interior.

Keep the waveguide cover clean at all times.

The waveguide cover is constructed from a fragile material and should be cleaned with care (follow the cleaning instructions above).

**NOTE:** Excessive soaking may cause disintegration of the waveguide cover.

The waveguide cover is a consumable part and without regular cleaning, will need to be replaced.

### Turntable and Turntable support

Remove the turntable and turntable support from the oven.

Wash the turntable and turntable support in mild soapy water. Dry with a soft cloth. Both the turntable and the turntable support are dishwasher safe.

### Door

To remove all traces of dirt, regularly clean both sides of the door, the door seals and adjacent parts with a soft, damp cloth. Do not use harsh abrasive cleaners or sharp metal scrapers to clean the glass oven door since they can scratch the surface, which may result in shattering of the glass.

**NOTE:** A steam cleaner should not be used.

### Cleaning tip - For easier cleaning of your oven:

Place half a lemon in a bowl, add 300ml (1/2 pint) water and heat on 100% for 10 -12 minutes.

Wipe the oven clean using a soft, dry cloth.



## TROUBLESHOOTING

If you think the oven is not working properly there are some simple checks you can carry out yourself before calling an engineer. This will help prevent unnecessary service calls if the fault is something simple.

Follow this simple check below:

Place half a cup of water on the turntable and close the door. Programme the oven to cook for 1 minute using 100% microwave power.

1. Does the oven lamp come on when it is cooking?
2. Does the turntable rotate?
3. Does the cooling fan work? (Check by placing your hand above the air vent openings.)
4. After 1 minute does the audible signal sound?
5. Is the water in the cup hot?

If you answer "NO" to any question first check that the oven is plugged in properly and the fuse has not blown. If there is no fault with either, check against the troubleshooting chart below.

### TROUBLESHOOTING CHART

QUERY	ANSWER
Draught circulates around the door.	When the oven is working, air circulates within the cavity. The door does not form an airtight seal so air may escape from the door.
Condensation forms in the oven, and may drip from the door.	The oven cavity will normally be colder than the food being cooked, and so steam produced when cooking will condense on the colder surface. The amount of steam produced depends on the water content of the food being cooked. Some foods, such as potatoes have a high moisture content. Condensation trapped in the door glass should clear after a few hours.
Flashing or arcing from within the cavity when cooking.	Arcing will occur when a metallic object comes into close proximity to the oven cavity during cooking. This may possibly roughen the surface of the cavity, but would not otherwise damage the oven.
Arcing potatoes.	Ensure all "eyes" are removed from the potatoes and that they have been pierced, place directly onto the turntable or in a heat resistant flan dish or similar.
The display is lit but the control panel will not work when pressed.	Check the door is closed properly.
Oven cooks too slowly.	Ensure correct power level has been selected.
Oven makes a noise.	The microwave energy pulses ON and OFF during cooking/thawing.
Outer cabinet is hot.	The cabinet may become warm to the touch - keep children away.

**WARNING: Never adjust, repair or modify the oven yourself. It is hazardous for anyone other than a SHARP trained engineer to carry out servicing or repairs. This is important as it may involve the removal of covers that provide protection against microwave energy.**

- The door seal stops microwave leakage during oven operation, but does not form an airtight seal. It is normal to see drops of water, light or feel warm air around the oven door. Food with a high moisture content will release steam and cause condensation inside the door which may drip from the oven.
- **Repairs and Modifications:** Do not attempt to operate the oven if it is not working properly.
- **Outer Cabinet & Lamp Access:** Never remove the outer cabinet. This is very dangerous due to high voltage parts inside which must never be touched, as this could be fatal. Your oven is not fitted with a lamp access cover. If the lamp fails, do not attempt to replace the lamp yourself, call a SHARP approved service facility.

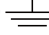
## TO REPLACE THE MAINS PLUG



The wires in the mains cable are colour coded as shown:

Green and yellow stripes = **EARTH**  
Blue = **NEUTRAL**  
Brown = **LIVE**

As the colours in the mains lead of your oven may not correspond with the coloured marking identifying the terminals in your plug, connect the wires as described:

- The green and yellow wire to the plug terminal marked E  or coloured green or coloured green and yellow.
- The blue wire to the plug terminal marked N or coloured black or coloured blue.
- The brown wire to the plug terminal marked L or coloured red or coloured brown.

Make sure the terminal screws are tight and the cable is held securely by the cable grip where it enters the plug.

Like most appliances in your home, your oven must be connected to a single phase 230-240V~, 50Hz alternating current supply.

If you do not make the proper electrical connections you might damage the oven or injure yourself. Neither SHARP nor the supplier will be liable if this happens.

### IMPORTANT

- The fuse from the cut-off plug should be removed and the plug disposed of in a safe manner.
- Under no circumstances should the cut-off plug be inserted into a socket outlet as a serious electric shock may occur.
- The plug must not be used without the fuse cover fitted.

If you have any doubt about your microwave oven obtain the help of a qualified electrician. When replacing the plug please ensure that you use a BSI or ASTA approved plug to BS1363, this should be fitted with a brown coloured 13 amp fuse approved by BSI or ASTA to BS1362. If you have any doubt about electrical connection seek the help of a qualified electrician.

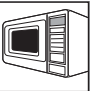
**WARNING: THIS APPLIANCE MUST BE EARTHED**  
**If you have any doubts about your electrical supply ask a qualified electrician.**

## CALLING FOR SERVICE



- If you are unable to resolve a problem using the checks covered on the last few pages, **do not attempt to service this microwave oven yourself.**
- Contact the dealer or supplier from whom the oven was purchased in order to obtain service. Where this is not possible, please contact the SHARP Customer Information Centre. Telephone: 0333 014 3055.
- For general information and assistance with oven queries, please contact our **Customer Information Centre:**  
**UK & Ireland:** 0333 014 3055  
**Website:** [www.sharphomeappliances.com/support](http://www.sharphomeappliances.com/support)
- Replacement accessories may be obtained from our main parts distributor:  
Charles Hyde & Son Ltd  
Telephone 01759 303068  
Email [sales@charleshyde.co.uk](mailto:sales@charleshyde.co.uk)  
Web [www.chsinteractive.co.uk](http://www.chsinteractive.co.uk)

## GUARANTEE



Sharp Electronics (UK) Ltd. ("Sharp") guarantees that for a period of 12 months from the date of purchase the enclosed product will be free from defects in materials and workmanship. Sharp agrees to provide for the repair or, at its option, the replacement of a defective product. Sharp reserves the right to replace defective parts, or the product, with new or refurbished items. Items that are replaced become the property of Sharp.

To benefit from this guarantee, any fault that occurs must be notified to Sharp, or its appointed Service Facility, within one year from the date the product was purchased. Proof of purchase, such as a receipt or invoice, must be provided.

If the product is exchanged, the replacement shall be covered by the unexpired portion of the original guarantee.

In the unlikely event of the product requiring repair, please contact the supplier from whom it was purchased. Where this is not possible, please contact an appointed Service Facility. Details of Service Facilities appointed by Sharp can be obtained from [www.sharphomeappliances.com/support](http://www.sharphomeappliances.com/support) or by contacting the **Sharp Customer Information Centre** whose details are given below.

This guarantee shall only apply to faults that are due to inferior workmanship or materials. It does not cover faults or damage caused by accident, misuse, fair wear and tear, neglect, tampering with the product, or repair other than by a Service Facility appointed by Sharp.

The product is intended for private domestic use only. The guarantee will not apply if the product is used in the course of a business, trade or profession.

The guarantee does not cover:

- Glass/ceramic turntables, as they can be damaged by handling/cleaning methods.
- Faults resulting from inadequate cleaning. Regular cleaning is required to prevent a build up of food residue that can also affect the performance of the product.
- Carriage costs to or from the repair centre.

No person has any authority to vary the terms or conditions of this guarantee.

This guarantee is offered as an additional benefit to your statutory rights, and does not affect these rights in any way.

You may not transfer your rights or obligations under this warranty to anyone else.

If you have any difficulty operating the product, or would like information on other Sharp products, please telephone the Sharp Customer Information Centre on the number given below.

### Sharp Customer Information Centre

**Website:** [www.sharphomeappliances.com/support](http://www.sharphomeappliances.com/support)

**Telephone:** 0333 014 3055

Vestel UK is a company registered in England under number 4771550  
whose registered office is at

Vestel UK, Vestel House, Waterside drive, Langley, Berkshire SL3 6EZ United Kingdom

# SHARP

Vestel UK  
London, UK

**UK:** 0333 014 3055

**Website:** [www.sharphomeappliances.com/support](http://www.sharphomeappliances.com/support)

